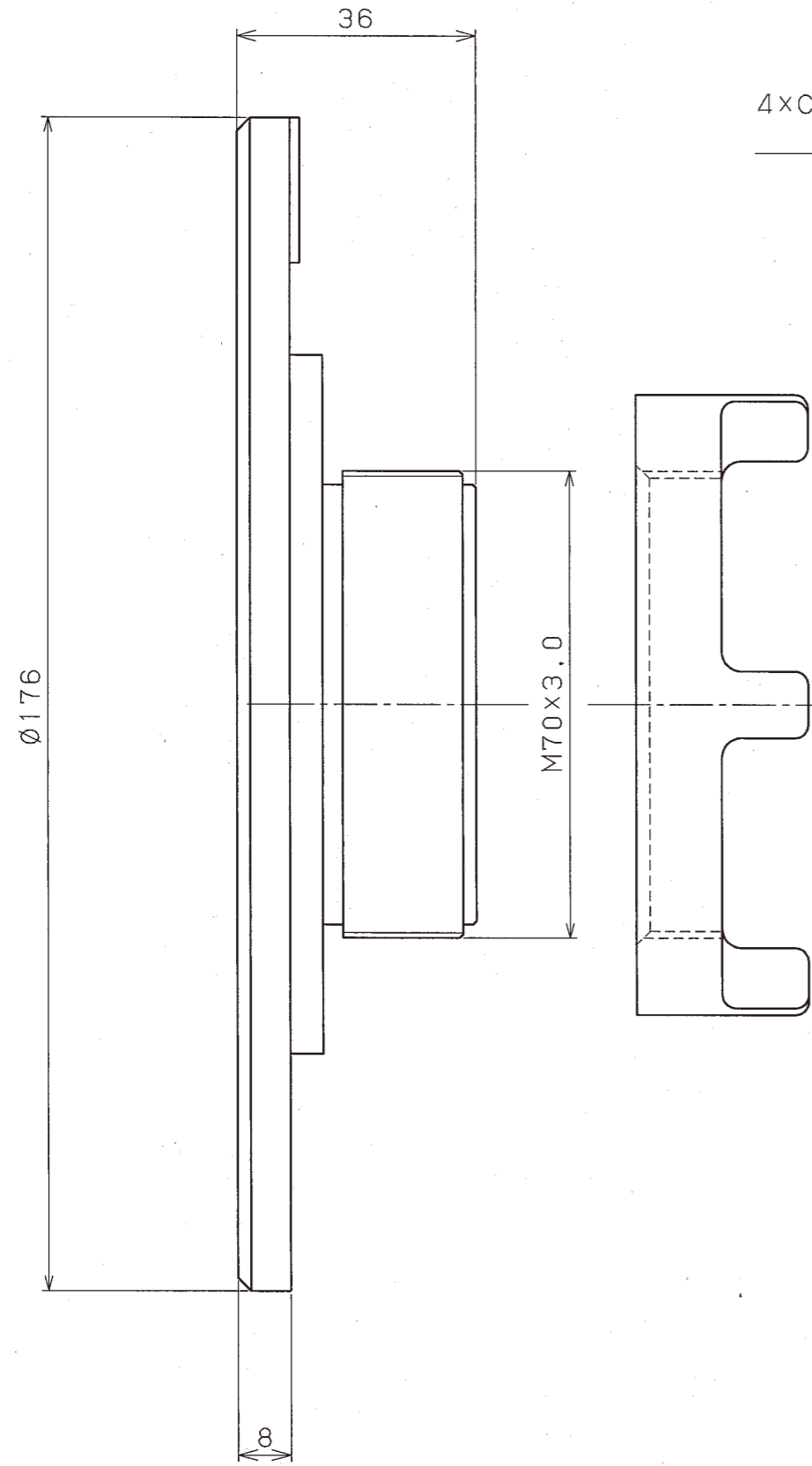
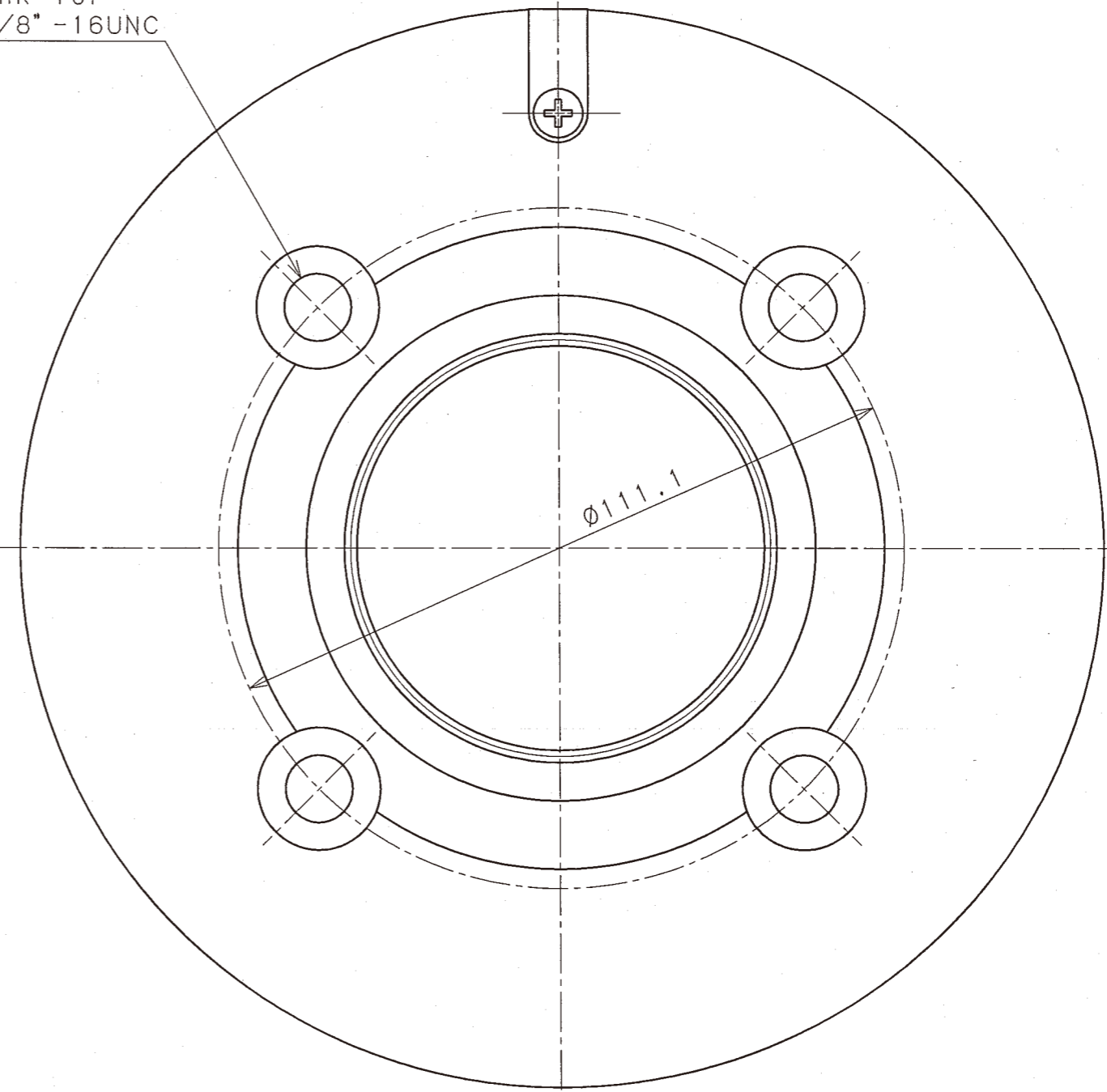


DRAWING NO. M3-200110B

| SYM | ZONE | REVISION RECORD | REVISED BY | DATE | APPROVED BY | DATE |
|-----|------|-----------------|------------|------|-------------|------|
| | | | | | | |



4x Countersink for 3/8" -16UNC



| | | | |
|-------------|------------|----|-----------|
| | UNIT | mm | SCALE 1:1 |
| TITLE | Hat | | |
| TYPE NO. | TZ-41F | | |
| ORDER NO. | 1783 | | |
| DRAWING NO. | M3-200110B | | |

| DWNBY | CHKDBY | DESDBY | APPDBY | WHGHT |
|-------|--------|--------|--------|-------|
| | | | | kg |

Note: This dimension drawing has been downloaded from the official Shotoku Broadcast Systems website and displays only representative figures. Specifications are subject to change without notice.